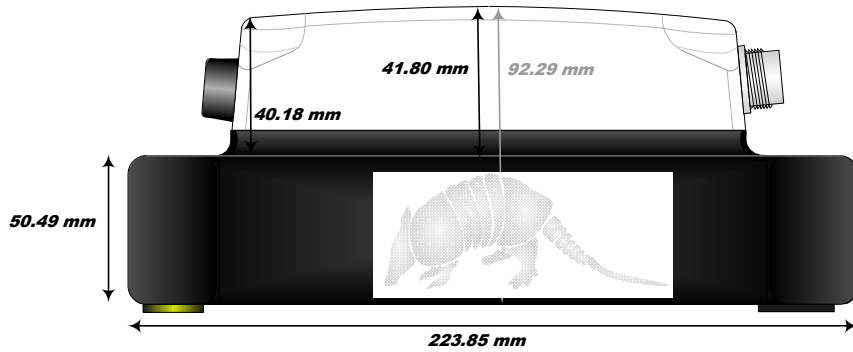
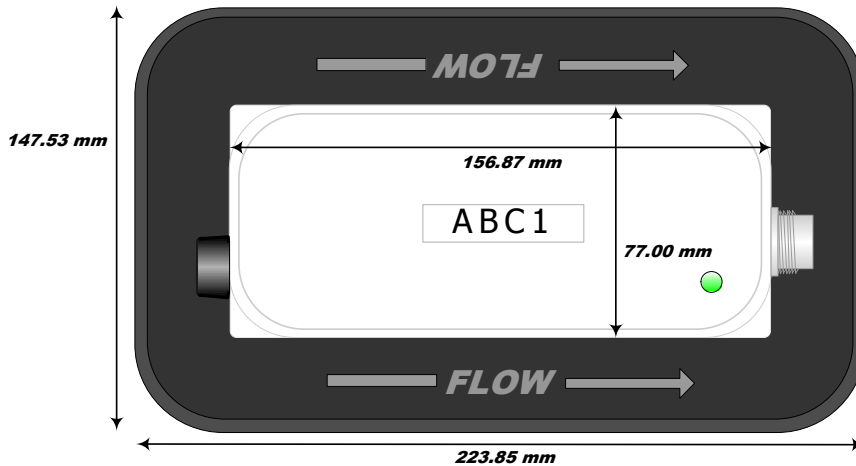


ARMADILLO TRACKS

ABOVE GROUND MARKER

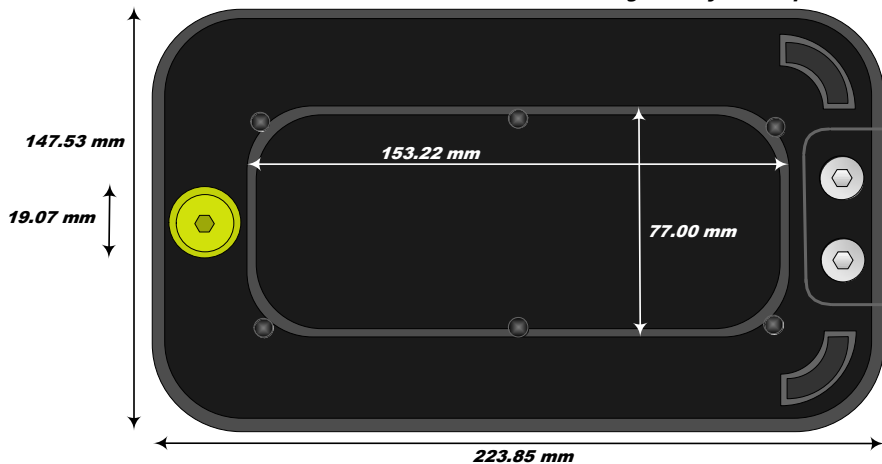


SIDE VIEW



TOP VIEW

Note: Indentation on bottom of Unit is to aid in stacking stability of multiple AGMs.



BOTTOM VIEW

Specifications

Battery Life	100 Hrs. Continuous
Hibernate Mode	Pre-deployable up to a month in advance
Charge Time	8 Hrs
Hours of Data Storage	400 Hrs
Storage Media	8 GB
Processor Speed	48 MHz
DOC MFL	5.0 m, 15 ft *
DOC 22 Hz	5.0 m, 15 ft *
External Attachment	22Hz Antenna
Geophone Max Tilt Angle	15 Degrees
Weight	2.45 kg, 5.4 LBS
Display	Multicolor LED light
GPS Accuracy	Up to 3 m, 10 ft
Temperature Rating	-45°C to +85°C -49°F to +185°F
Dimensions (L x W x H)	22.4 x 14.8 x 9.2 cm 8.8 X 5.8 X 3.6 in
Bluetooth Range	Up to 100 m, 300 ft
Certified IEC IP67 Rating – complete protection against dust and liquid intrusion	
* DOC (Depth of Cover) specifications are dependent on pig velocity, size of the pipeline, pipeline weight (thickness), transmitter type/strength, and will vary accordingly.	